



IS THIS YOUR SOLUTION  
TO EMERGENCY EVACUATION?

# Evacu-Trac

Emergency Evacuation Chair

# Technical Information

The Evacu-Trac is simply the best evacuation chair on the market today.

It is easy for the operator to use and is comfortable for the passenger. This encourages regular practice drills, considered essential to emergency preparedness.

Exclusive safety features set Evacu-Trac apart:

- Hydraulic Speed Governor
- Failsafe Braking System

**STOPS AND HOLDS A FULLY LOADED EVACU-TRAC ON THE STAIRS!**



<p><b>1. Failsafe Braking System</b></p>	<ul style="list-style-type: none"> <li>• stops and holds Evacu-Trac on the stairs</li> <li>• acts as a parking brake on flat surfaces</li> <li>• engaged automatically when the operator releases the brake bar</li> </ul>
<p><b>2. Open Sides for Easy Transfer</b></p>	<ul style="list-style-type: none"> <li>• many passengers are able to transfer themselves</li> <li>• open sides and low seating position allow for easy patient transfer in an emergency</li> </ul>
<p><b>3. Comfortable</b></p>	<ul style="list-style-type: none"> <li>• comfortable seating position for passengers of various sizes</li> <li>• good support for passenger's head, back, hips, legs and feet</li> </ul>
<p><b>4. Hydraulic Speed Governor</b></p>	<ul style="list-style-type: none"> <li>• controls decent speed mechanically</li> <li>• patented, exclusive Evacu-Trac safety feature</li> </ul>
<p><b>5. Steel Reinforced Tracks</b></p>	<ul style="list-style-type: none"> <li>• hundreds of steel wires molded in to rubber tracks ensure strength and durability</li> <li>• lugs on tracks grip stairs securely</li> </ul>
<p><b>6. Auxiliary Wheels</b></p>	<ul style="list-style-type: none"> <li>• allow for easy movement around corners and across flat landings</li> </ul>
<p><b>7. Adjustable Straps</b></p>	<ul style="list-style-type: none"> <li>• three safety straps hold passenger securely</li> <li>• adjustable straps with velcro ensure passenger comfort and safety</li> <li>• straps secure passengers of various sizes, including children</li> </ul>
<p><b>8. Head Restraint System</b></p>	<ul style="list-style-type: none"> <li>• padded headrest and adjustable restraint strap allow for safe evacuation when head support must be maintained</li> </ul>
<p><b>9. Auxiliary Handles</b></p>	<ul style="list-style-type: none"> <li>• for additional stability</li> <li>• used by a secondary operator to evacuate passengers weighing over 300 lbs (136 Kg)</li> </ul>

# Specifications & Dimensions

## Specifications

Capacity	180kgs/400lbs
Speed	0.8m(2.6ft)/sec
Stair Angle	40° Max.
Weight	24kgs/53lbs

## Dimensions

### Size Open

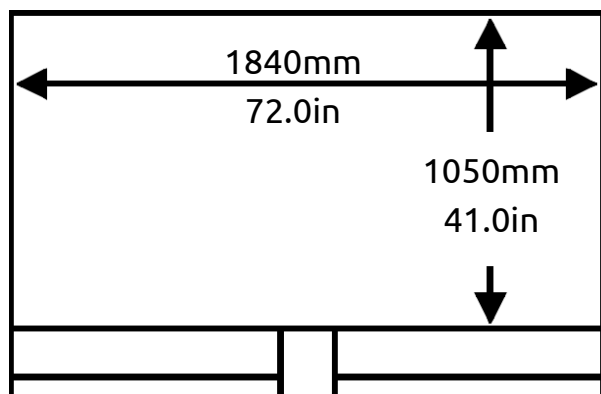
Length	1303mm/51.3in
Width	425mm/16.8in
Height	820mm/32.3in

### Size Folded

Length	1106mm/43.5in
Width	425mm/16.8in
Height	270mm/10.6in

### Clearances

The diagram below shows typical clearances required on turnback stairways. Actual requirements may vary depending on stairway configuration.



## Storage Cabinet



Protect your Evacu-Trac, as you would any other important life-safety equipment, by storing it in a steel storage cabinet located near the top of the stairway. Designed to hold a single Evacu-Trac, the storage cabinet includes graphics clearly identifying the contents.

## Dimensions

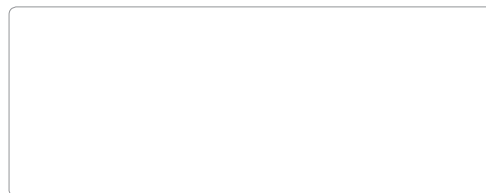
Height	1150mm/45.3in
Width	510mm/20.0in
Depth	280mm/11.0in



---


**Garaventa Lift**

PO Box 1769 · Blaine, WA · 98231-1769 · USA  
T 604 594 0422 · T 866 824 8314 (toll free North America)  
E [productinfo@evacutrac.com](mailto:productinfo@evacutrac.com) · I [www.evacutrac.com](http://www.evacutrac.com)



Authorized Garaventa Lift Representative

© Garaventa Lift. As we are continuously improving our products, specifications outlined in this brochure are subject to change without notice.

 Printed in Canada  
15804-K-PB-EN